



- Fixed height column system
- VESA 200x200 up to 800X600 display interface
- Easy to assemble
- High stability
- Total height 181 cm

moTion freestanding column system

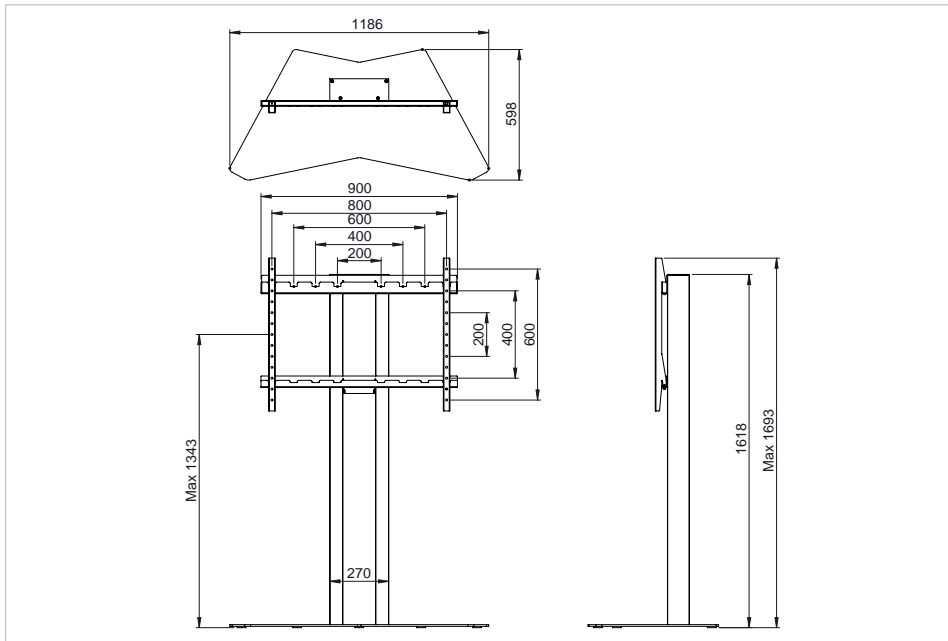
fixed height

- Contemporary design that fits perfectly in any modern office space
- VESA head for screen and accessories can be easily adjusted to any height during installation
- Stand is delivered as an assembly kit and is very easy to setup (<15 minutes)
- Completely freestanding mounting solution
- Extra large floorplate enables freestanding placement of the touch monitor. Perfect for situations where mobile set-up is not necessary and where you don't want to mount a column system to a wall
- Optional accessory shelves for e.g. videoconferencing cameras and laptops are available. These come with a VESA 100 mount on the bottomside for small form factor PC's or wireless screensharing hardware

Art.No. **7-811641**

GTIN **8713797104845**





Specifications

Height adjustable	No
Mounting interface	VESA 200x200 up to VESA 800x600
Package contents	Mounting material, Mounting instruction
Screen height max. (center vesa mount)	1470 mm
Maximum load height adjustable system	126.00 kg
Maximum screen weight	126.00 kg
Maximum screen size	98"
Cable lock slot	No
Cable compartment	No
Product warranty	5 Years

Logistics

GTIN	8713797104845
Article number	7-811641
Quantity	1 pcs
Packing dimensions	650 x 475 x 1805 mm
Weight (gross/net)	57.64 kg / 54.74 kg

Product overview

Article name	Article number	GTIN/EAN	Minimum order quantity
Legamaster moTion freestanding column system fixed height	7-811641	8713797104845	1